

www.hazalguvenlik.net



Hydraulic Rising Bollard
(K8 - 800 mm)

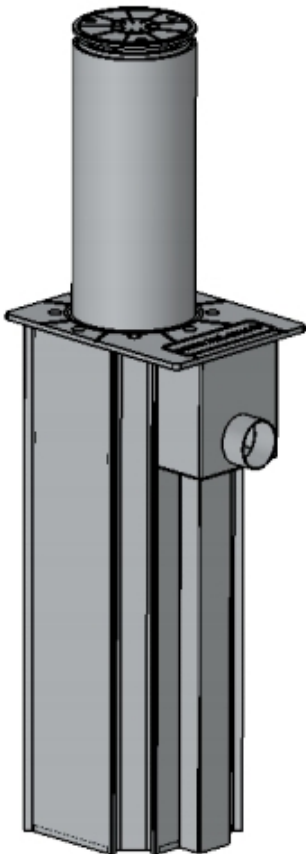
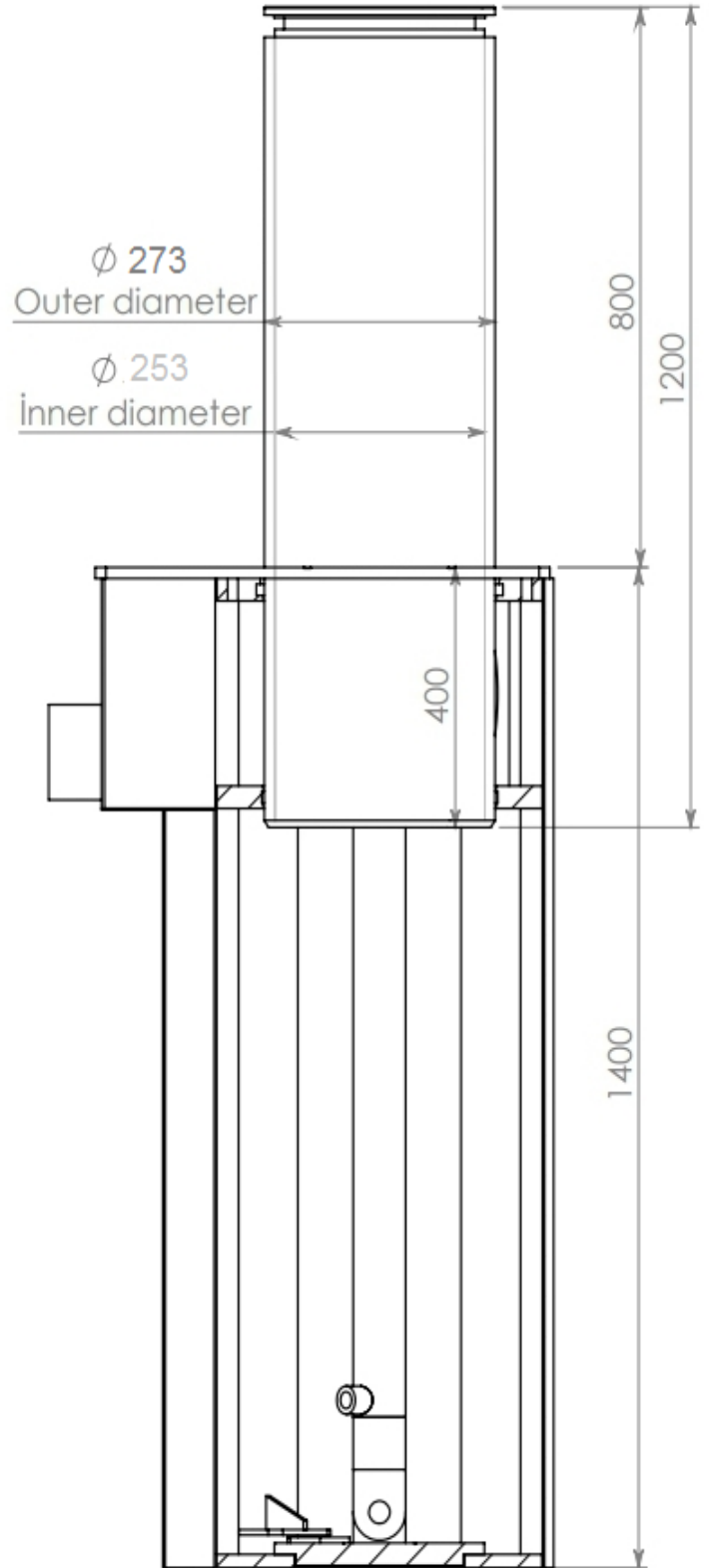
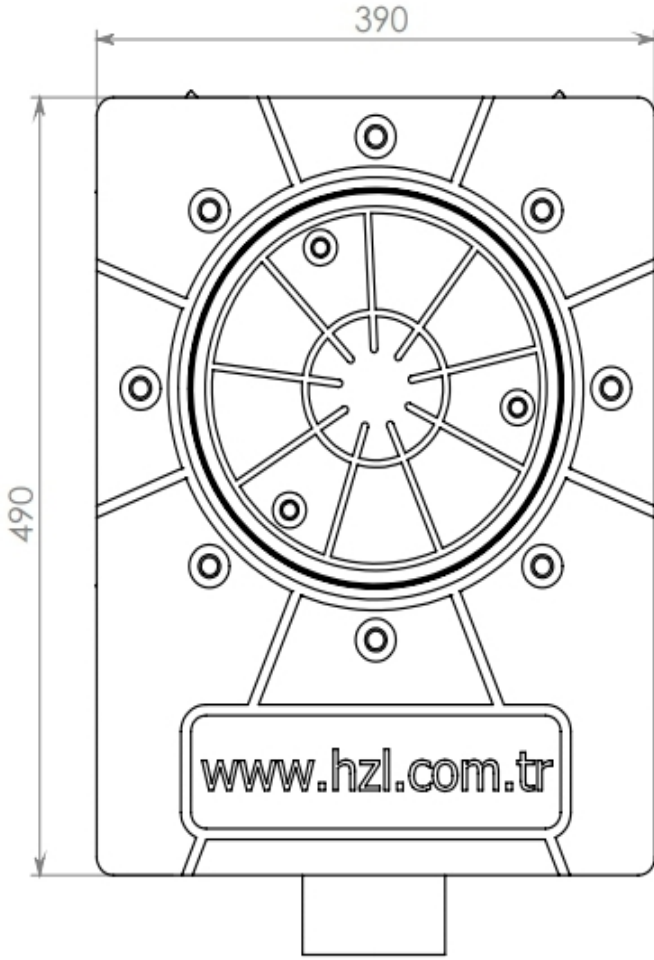
Data Sheet

www.hazalguvenlik.net

Hydraulic Rising Bollard (K8 - 80 cm)



| | |
|------------------------|---|
| DRIVE | Hydraulic |
| DRIVE POWER | Min 10 Bars / Max 120 Bars |
| CYLINDER RADIUS | 273 mm |
| OBSTACLE HEIGHT | 800 mm |
| CYLINDER WIDTH | 18 mm + 2 mm (304) Total 20 mm |
| BEARING | Aluminum |
| COATING MATERIAL | Steel – 2 mm 304 Stainless Steel |
| RISING / FALLING TIME | 4 Sec / 6 Sec |
| POWER SUPPLY | 380 VAC / 50-60 Hz. |
| CONSUMPTION | 2,2 KW |
| PROTECTION CLASS | IP 65 |
| CONTROL PANEL | PLC,Programmeable for Integration With Various Systems |
| RESİSTANCE | 65km/s 7500kg |
| OPERATION TEMPERATURES | + 70 °C / - 15 °C |
| WORKING FREQUENCY | Heavy Duty With 8000 / Day Move Movement |
| MANUAL OPERATION | Ascenting and Descending with Manual Hand Pump |
| OPERATION | Compatible With any king of Standart Interface , Button (standard) Remote Control , RFID , Camera , Proximty Card (optional) |
| HYDRAULIC OIL | No 46 |
| HYDRAULIC PİPES | 18/1,5 Rekor - 3/8 Çap, 350 Bar Max Pressure , 10 mt Pipe Length |
| BOLLARDS PER UNIT | Max 1 pcs |
| CERTIFICATION | CE , ISO 9001 : 2008 |
| WARRANTY | 1 Years |
| ACCESORIES | Oil Level and Temperarature Indicator,Manometer,Led Strip (Standard) Traffic Lights,Flashing Ling, Siren,Warning Sing, Drainage Pump (optional) |



www.hazalguvenlik.net



Doğuş Mah Ballıbaba Sok No : 67/3 K.Esat / Çankaya / ANKARA

Tif : + 90 312 478 2028 – + 90 312 482 0484

www.hazalguvenlik.net - info@hazalguvenlik.net

www.hazalguvenlik.net